

# SOFTENA

Smart softener





# SOFTENA

Smart softener

11L / 15L / 20L / 26L / 32L



**Not every family member drinks coffee or shaves. But we all take a bath or shower.**

The water softeners by Softena provide extra comfort. All the Softena softeners features upflow regeneration with proportional brining to provide you soft water with minimal water and salt consumption. Its unique sideways cabinet design makes it particularly suitable for installation where a small depth footprint is required.

## FEATURES

- ◆ Multilingual, two-line, legible display
- ◆ Separate salt light
- ◆ Easy programming, with all settings, except hardness and time, factory-set
- ◆ Sideways cabinet design
- ◆ High efficiency up-flow regeneration with proportional brining
- ◆ Salt alarm

## BENEFITS

- ➔ User-friendly with the optimal legibility of settings and statistics
- ➔ Simplified salt load operation
- ➔ Plug and play: pre-set to perform at its best
- ➔ Sideways cabinet design makes Softena particularly suitable for installation where a small depth footprint is required
- ➔ Exceptionally low rinse water usage per regeneration leads to minimal salt consumption, with up to 40% salt-saving compared to standard softeners
- ➔ Never runs out of salt without noticing


**TECHNICAL SPECIFICATIONS**

CHARACTERISTICS	Softena CS mini 0917 11l	Softena CS midi 0924 15l	Softena CS midi 1024 20l	Softena CS maxi 0935 26l	Softena CS maxi 1035 32l
Part number	4035638	4035639	4035640	4035641	4035642
Resin volume (L)	<b>11 L</b>	<b>15 L</b>	<b>20 L</b>	<b>26 L</b>	<b>32 L</b>
Number of people	1-2	3-4	5-6	7-8	7-8
Nominal flow rate (m <sup>3</sup> /h) (residual hardness 0°f)	0,7 m <sup>3</sup> /h	0,9 m <sup>3</sup> /h	1,2 m <sup>3</sup> /h	1,6 m <sup>3</sup> /h	1,9 m <sup>3</sup> /h
Nominal flow rate (m <sup>3</sup> /h) (residual hardness 5-10°f)	0,8 m <sup>3</sup> /h	1,1 m <sup>3</sup> /h	1,4 m <sup>3</sup> /h	1,9 m <sup>3</sup> /h	2,3 m <sup>3</sup> /h
Peak flow rate (m <sup>3</sup> /h) (residual hardness 5-10°f)	1,1 m <sup>3</sup> /h	1,5 m <sup>3</sup> /h	2,0 m <sup>3</sup> /h	2,6 m <sup>3</sup> /h	3,2 m <sup>3</sup> /h
Salt dosage g/resin (standard settings)	125 g/l				
Salt consumption per regeneration (kg)	1,4 kg	1,8 kg	2,1 kg	3,0 kg	3,7 kg
Water consumption per regeneration (L)	64 L	86 L	122 L	141 L	169 L
Softener capacity °f x m <sup>3</sup>	55,2 °f • m <sup>3</sup>	75,3 °f • m <sup>3</sup>	100,4 °f • m <sup>3</sup>	130,5 °f • m <sup>3</sup>	160,6 °f • m <sup>3</sup>
Capacity in m <sup>3</sup> for 30°f inlet water hardness and 10°f residual hardness setting	2,8 m <sup>3</sup>	3,8 m <sup>3</sup>	5,0 m <sup>3</sup>	6,5 m <sup>3</sup>	8,0 m <sup>3</sup>
In / out connections	3/4" BSPT	3/4" BSPT	3/4" BSPT	3/4" BSPT	3/4" BSPT
Drain connection	1/2" hose	1/2" hose	1/2" hose	1/2" hose	1/2" hose
Tank size	9x17	9x24	10x24	9x35	10x35
Operating pressure min/max (bar)	1,4 / 8,3				
Operating temperature min/max (°C)	2 / 48				
Electrical connection (V/Hz)	100-230/24VDC - 50/60 Hz				
Max power consumption (VA)	6,5 VA				
Accessories included	Plastic bypass, with incorporated mixing valve - Voltage transformer 230-24V - 3/4 BSP male in/out connection kit - 3 mtr reinforced drain hose with 2 clamps - Air gap with double drain connection				
Regeneration type	Upflow 5 cycles with proportional brinig				
System interface	Multilanguage electronic display 2 lines x 16 character				
Salt compartment capacity in kg	50,0 kg	75,0 kg	75,0 kg	125,0 kg	125,0 kg
Product width	573 mm	573 mm	573 mm	573 mm	573 mm
Product height	667 mm	807 mm	807 mm	1086 mm	1086 mm
Product depth	345 mm	345 mm	345 mm	345 mm	345 mm
Product depth with bypass assembled	418 mm	418 mm	418 mm	418 mm	418 mm
Product weight	18,5 kg	24,0 kg	28,5 kg	35,5 kg	41,0 kg
Packaging dimension (WxLxH) mm	360x600x610	360x600x770	360x600x770	360x600x1020	360x600x1020
Quantity per pallet	18	12	12	12	12
Pallet dimensions (WxLxH) mm	1170x1230x2320	1170x1230x1860	1170x1230x1860	1170x1230x2440	1170x1230x2440

**Note:** All calculations are based on a salt dosage setting standard of the PCB. The softener installation takes into account a pre-filter made of a 10" filter housing (Pentair ref. 150543) and a 10" 100micron Wound cartridge (Pentair ref. WWP100P10).

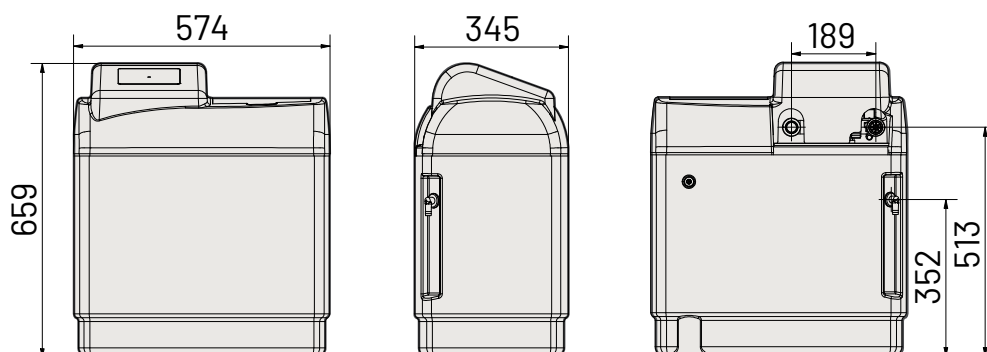
\* Indicatives data. Maximum flow rate to produce in order to respect the required service velocity for an optimal ion exchange upon resin manufacturers recommendation, regardless of the inlet pressure.

\*\* Values may vary upon local condition and programming. All consumptions are given for an inlet pressure of 3 bar.

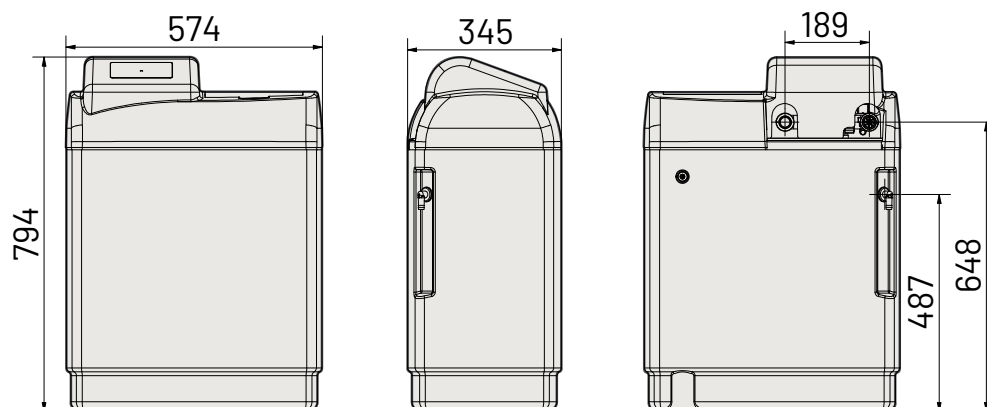


## OUTLINE DRAWINGS

Softena CS mini 11L



Softena CS midi 20L



Softena CS maxi 32L

