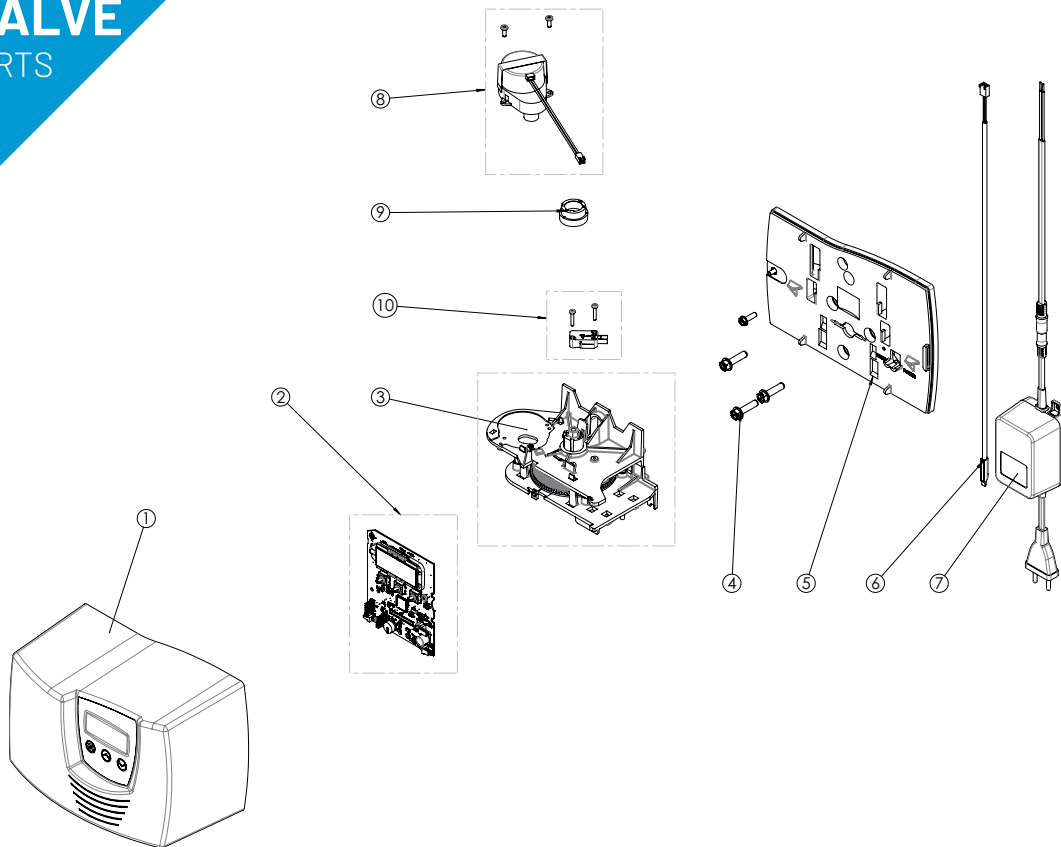


7700 VALVE

SPARE PARTS

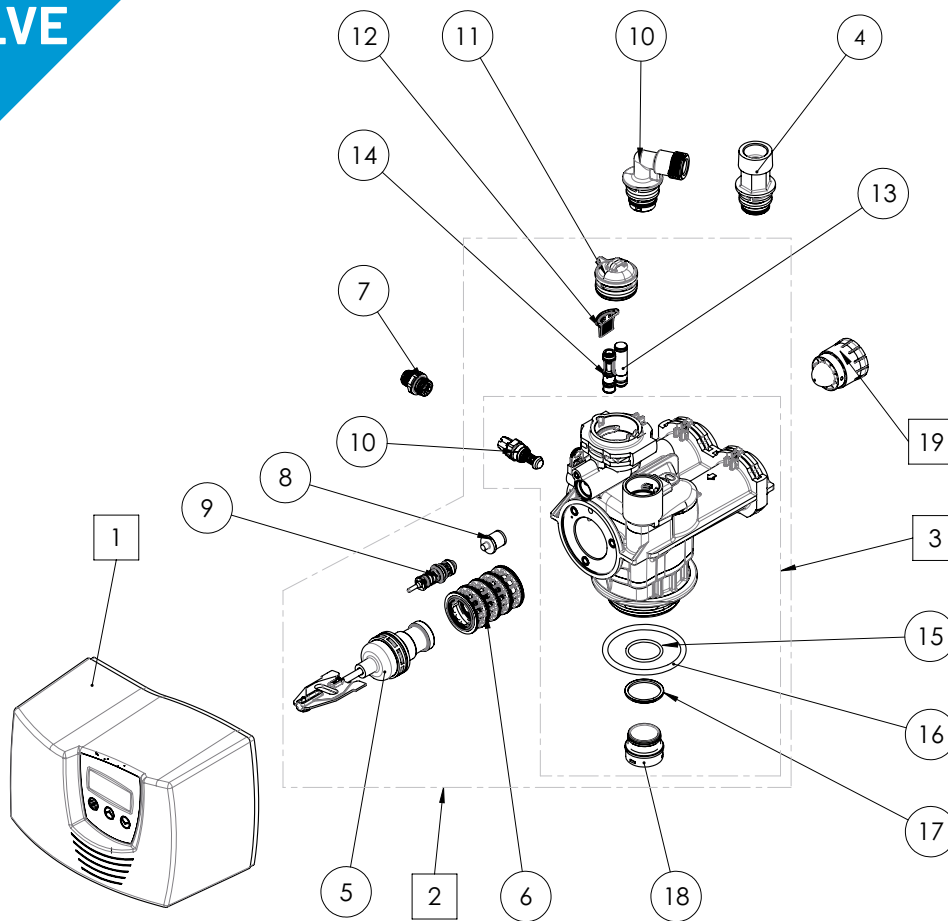


Power head 7700

Item	Reference	Description	Packing qty
1	BU28694	Cover assy SXT 7700	1
2	BR43360-EN	Circuit board 7700 SXT TC	1
3	BU28365	Main gear assy 7700	1
4	40967SP	Screw 7700 - (10 pc)	1
5	40980	Back plate 7700	1
6	BR19791-01	Turbine meter cable elect. 0,450 m	1
7	BU28597-10	Kit transfo 10 VA 400 mA 7700	1
8	28367	Drive motor assy 24V/50Hz	1
9	40704SP	Brine Cam 7700 DF - (10 pc)	1
	40977SP	Brine Cam 7700 Filter - (10 pc)	1
10	28343	Kit microswitch auxiliary 7700	1

7700 VALVE

SPARE PARTS

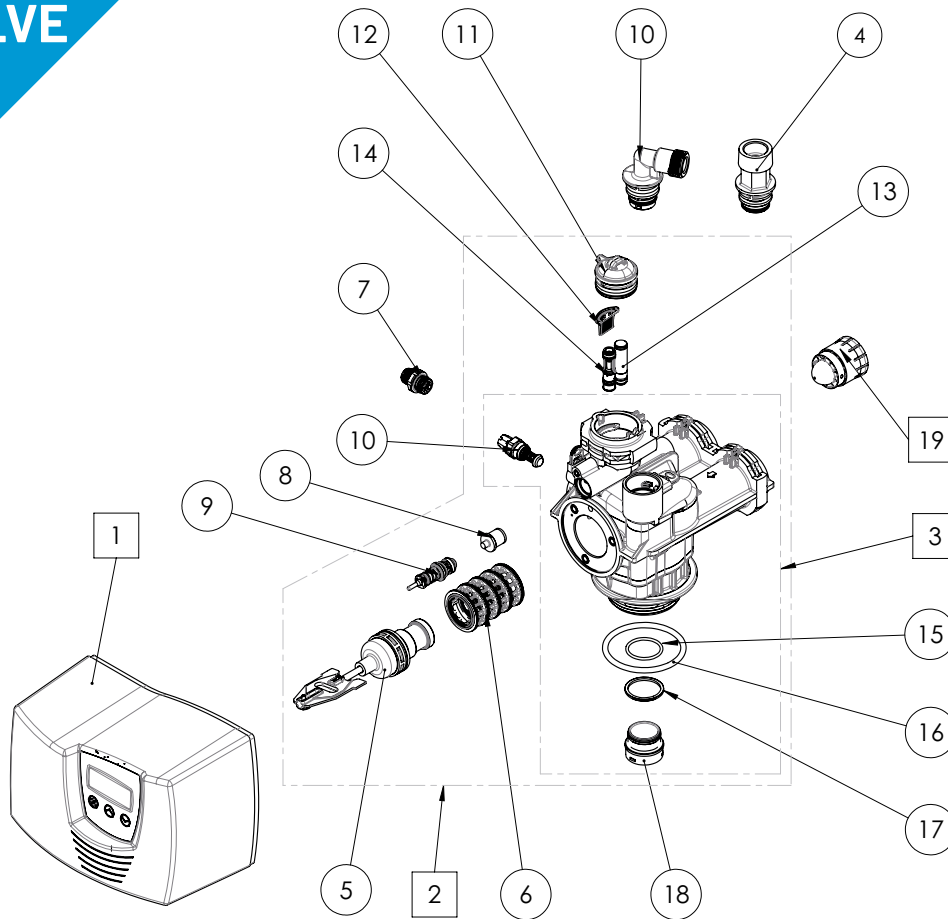


7700 spare parts

Item	Reference	Description	Packing qty
1	PH7700-001	PH 7700 SXT filter	1
	PH7700-002	PH 7700 SXT TC	1
	PH7700-003	PH 7700 SXT eco	1
2	BU28521-01	VB assy 7700 filter	1
	BU28521-02	VB assy 7700 w/ mixing	1
	BU28521-03	VB assy 7700 HF	1
3	28384	VB 7700 w/ O-ring w/o mixing	1
	28441	VB 7700 w/ O-ring with mixing	1
5	61452-10	Piston assy 7700 HF	1
	61452-20	Piston assy 7700 filter 35 gpm	1
	61453-10	Piston assy 7700	1
6	61438	S&S kit 7700 D/F	1
7	28387-0.12	BLFC assy 3/8" 1600 0.12 gpm 7700	1
	28387-0.25	BLFC assy 3/8" 1600 0.25 gpm 7700	1
	28387-0.50	BLFC assy 3/8" 1600 0.50 gpm 7700	1
	28387-1	BLFC assy 3/8" 1600 1 gpm 7700	1
8	40947-01	Plug assy BV 7700	1
9	26575	BV 1600 assy 7600/7700	10
10	28385-1.2	DLFC 3/4" 1.2 gpm 7700	1

7700 VALVE

SPARE PARTS



7700 spare parts

Item	Reference	Description	Packing qty
	28385-1.5	DLFC 3/4" 1.5 gpm 7700	1
	28385-2	DLFC 3/4" 2 gpm 7700	1
	28385-2.4	DLFC 3/4" 2.4 gpm 7700	1
	28385-3	DLFC 3/4" 3 gpm 7700	1
	28385-3.5	DLFC 3/4" 3.5 gpm 7700	1
	28385-4	DLFC 3/4" 4 gpm 7700	1
	28385-5	DLFC 3/4" 5 gpm 7700	1
	28385-7	DLFC 3/4" 7 gpm 7700	1
11	28370	Inj cover assy 7700	1
12	40950SP	Screen Inj 7700 - (10 pc)	1
13	40990-01	Inj plug assy 7700	1
14	61454-0	Inj assy 1600 7700 # 0	1
	61454-1	Inj assy 1600 7700 # 1	1
	61454-2	Inj assy 1600 7700 # 2	1
	61454-3	Inj assy 1600 7000 # 3	1
	61454-4	Inj assy 1600 7700 # 4	1
	61454-5	Inj assy 1600 7700 # 5	1
15	19054SP	O-ring - (10 pc)	1
16	18303-01SP	O-ring Top of Tank - (10 pc)	1
17	40538SP	Retainer Tank Seal - (10 pc)	1
18	61419SP	Kit 1.05" Distrib Adapt - (10 pc)	1
19	40577	Meter assy 1 1/4" elec 7700	1
20	28386-ALL	DLFC kit 1" 7700 10 to 25 gpm	1