

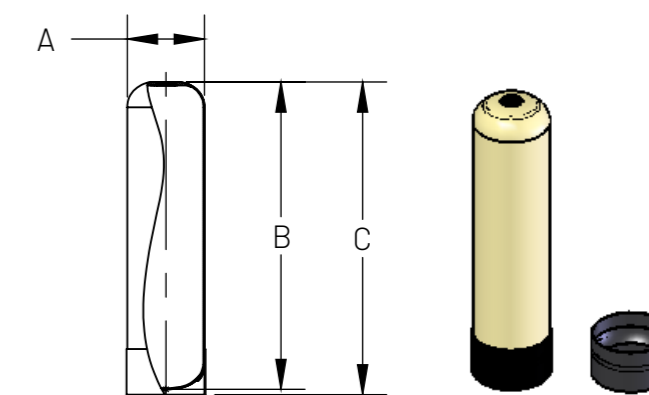
RESIDENTIAL FRP VESSELS



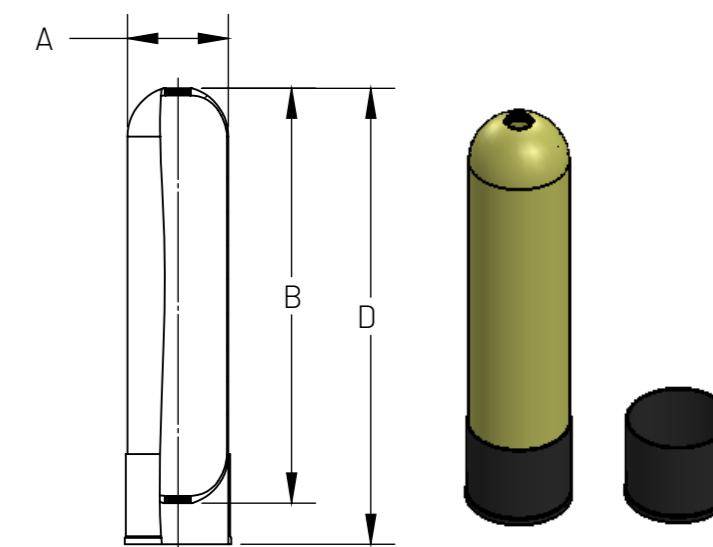
RESIDENTIAL FRP VESSELS

Reference	Description	Tank volume in liter +/- 0,2	Outer diameter		Height			Top & Bottom opening sizes		Base type
			A (mm) +/- 3	B (mm)	C (mm)	D (mm)	E - internal height (mm) +/- 4	Top	Bottom	
Vinylester vessels 2 1/2" top (1 to 65°C)										
83030	No base FRP vinylester 2 1/2" top, 06 x 13	4.97	159	320	-	-	314	2 1/2" -8 NPSM	-	No base
83031-4	No base FRP vinylester 2 1/2" top, 06 x 18	7.40	159	454	-	-	446	2 1/2" -8 NPSM	-	No base
83036-4	No base FRP vinylester 2 1/2" top, 07 x 35	20.89	184	885	-	-	880	2 1/2" -8 NPSM	-	No base
83036-1	W/base FRP vinylester 2 1/2" top, 07 x 35	20.89	184	885	887	-	880	2 1/2" -8 NPSM	-	Snap-on base
83039-3	No base FRP vinylester 2 1/2" top, 08 x 17	12.10	210	427	-	-	421	2 1/2" -8 NPSM	-	No base
83039-2	W/base FRP vinylester 2 1/2" top, 08 x 17	12.10	210	427	437	-	421	2 1/2" -8 NPSM	-	Snap-on base
83040-1	W/base FRP vinylester 2 1/2" top, 08 x 22	16.54	210	569	579	-	561	2 1/2" -8 NPSM	-	Snap-on base
83042-3	No base FRP vinylester 2 1/2" top, 08 x 35	26.93	210	885	-	-	881	2 1/2" -8 NPSM	-	No base
83042-2	W/base FRP vinylester 2 1/2" top, 08 x 35	26.93	210	885	896	-	881	2 1/2" -8 NPSM	-	Snap-on base
83043-5	W/base FRP vinylester 2 1/2" top, 8 x 40	31.28	210	1013	1024	-	1009	2 1/2" -8 NPSM	-	Snap-on base
83045-2	No base FRP vinylester 2 1/2" top, 09 x 35	33.65	236	885	-	-	881	2 1/2" -8 NPSM	-	No base
83045-1	W/base FRP vinylester 2 1/2" top, 09 x 35	33.65	236	885	897	-	881	2 1/2" -8 NPSM	-	Snap-on base
83046-5	W/base FRP vinylester 2 1/2" top, 10 x 19	20.02	257	482	487	-	473	2 1/2" -8 NPSM	-	Snap-on base
83046-3	No base FRP vinylester 2 1/2" top, 10 x 19	20.02	257	482	-	-	473	2 1/2" -8 NPSM	-	No base
83047-2	No base FRP vinylester 2 1/2" top, 10 x 35	39.42	257	885	-	-	880	2 1/2" -8 NPSM	-	No base
83047-1	W/base FRP vinylester 2 1/2" top, 10 x 35	39.42	257	885	890	-	880	2 1/2" -8 NPSM	-	Snap-on base
83048-2	W/base FRP vinylester 2 1/2" top, 10 x 40	46.20	257	1015	1019	-	1010	2 1/2" -8 NPSM	-	Snap-on base
83049-2	W/base FRP vinylester 2 1/2" top, 10 x 44	50.95	257	1117	1122	-	1112	2 1/2" -8 NPSM	-	Snap-on base
30547-4	W/base FRP vinylester 2 1/2" top, 10 x 47	54.57	257	1191	1200	-	1183	2 1/2" -8 NPSM	-	Snap-on base
83051-1	W/base FRP vinylester 2 1/2" top, 10 x 54	63.35	257	1367	1375	-	1363	2 1/2" -8 NPSM	-	Snap-on base
83053	W/base FRP vinylester 2 1/2" top, 13 x 54	105.54	335	1365	1384	-	1358	2 1/2" -8 NPSM	-	Snap-on base
82031	W/base FRP vinylester 2 1/2" top, 13 x 54	105.54	335	1365	1384	-	1358	2 1/2" -8 NPSM	-	Snap-on base
Vinylester vessels with other specifications (1 to 65°C)										
32032	No base FRP vinylester 4" top + 2 1/2" bottom openings, 10 x 19	20.02	257	482	-	-	473	4.0" -8 UN	2 1/2" -8 NPSM	No base
30400-5	W/base FRP vinylester 4" top + 2 1/2" bottom openings, 10 x 19	20.02	257	482	-	630	473	4.0" -8 UN	2 1/2" -8 NPSM	Extended base
830358	No base FRP vinylester 4" top + 2 1/2" bottom openings, 10 x 54	63.35	257	1367	-	-	1363	4.0" -8 UN	2 1/2" -8 NPSM	No base
30587-4	W/base FRP vinylester 4" top + bottom openings, 10 x 54	63.35	257	1367	-	1519	1363	4.0" -8 UN	4.0" -8 UN	Extended base
30657	W/base FRP vinylester 4" top opening, 12 x 48	78.55	305	1217	1236	-	1210	4.0" -8 UN	-	Snap-on base
30663-1	W/base FRP vinylester 4" top + bottom openings, 12 x 48	78.55	305	1217	-	1367	1210	4.0" -8 UN	4.0" -8 UN	Extended base
82013	W/base FRP vinylester 4" top opening, 13 x 54	105.54	335	1365	1384	-	1358	4.0" -8 UN	-	Snap-on base
82016-2	W/base FRP vinylester 2 1/2" top, 2" BSP top dome Hole, 3/4" BSP bottom SH, 13 x 54	105.54	335	1365	1384	-	1358	2 1/2" -8 NPSM	-	Snap-on base
82014-1	W/base FRP vinylester 4" top + bottom openings, 13 x 54	105.54	335	1365	-	1519	1358	4.0" -8 UN	4.0" -8 UN	Extended base
83054-1	W/base FRP vinylester 4" top opening, 14 x 65	149.60	362	1640	1650	-	1630	4.0" -8 UN	-	Snap-on base

Tank on Snap-On base



Tank on extended base



Click here to know more about our FRP vessels range





www.pentair.eu

All indicated Pentair trademarks and logos are property of Pentair. Third party registered and unregistered trademarks and logos are the property of their respective owners.

MKT-TS-165-EN-B © 2023 Pentair. All rights reserved.