

# SOFTENA

Smart softener





# SOFTENA

Smart softener  
14L / 20L / 30L



**Not every family member drinks coffee or shaves. But we all take a bath or shower.**

The water softeners by Softena provide extra comfort. All the Softena softeners features high efficiency regeneration with proportional brining to provide you soft water with minimal water and salt consumption. Its unique sideways cabinet design makes it particularly suitable for installation where a small depth footprint is required.

Thanks to its wifi connection available as an option, users can control the Softena via the [Pentair ConnectMySoftener app](#), whilst pros can have access to the [ConnectMySoftener portal](#).

Softena is available with or without wifi connectivity. If you want to know more about which version feature the connectivity, please refer to our catalogue or pricelist.

**DOWNLOAD THE APP NOW!**



## FEATURES

- ◆ 4 buttons with straight forward combinations for enter settings and start a regeneration. Info button shows instructions directly on the display
- ◆ Larger graphic display with RGB colors
- ◆ Software includes 7 languages
- ◆ Easy programming, with all settings, except hardness and time/date, factory-set to optimum values
- ◆ Large salt storage capacity
- ◆ High efficiency regeneration with proportional brining and smart reserve algorithm
- ◆ Sideways cabinet design
- ◆ Salt alarm
- ◆ Integrated bypass
- ◆ Holiday mode
- ◆ Customize your softener loading password, parameters, and your company name with USB-C pen drive
- ◆ Wi-Fi Connectivity\*

\* Only on the SKUs which have this feature

## BENEFITS

- ➔ Intuitive User Interface allows users and installers to get straight away familiar with it and any setting change is extremely easy and fast to make
- ➔ Optimum readability and customizability of the displayed values. RGB display backlight works like a status led to provide immediate and straight forward feedback on the actual status of the appliance
- ➔ Perfectly adapts for installation in most of the European countries.
- ➔ Quick start up procedure and piece of mind knowing the product will perform at its best.
- ➔ Long operation time before a new salt refill is needed
- ➔ Exceptionally low rinse water usage per regeneration leads to minimal salt consumption, with up to 20% salt-saving compared to previous model
- ➔ Sideways cabinet design makes Softena particularly suitable for installation where a small depth footprint is required but no compromise is accepted on salt storage capacity
- ➔ Never runs out of salt without noticing, the remaining salt % is always shown in the display. If the system is connected to the Wi-Fi you will get a notification on ConnectMySoftener when is time to refill the brine tank
- ➔ Simplified installation and system maintenance
- ➔ Holiday mode avoids unnecessary regeneration, resulting in reduced water and salt consumption during periods of absence, while maintaining the resin bed in optimal condition for service
- ➔ Allows to quickly upload your settings and your customizations such your company name service assistance phone number directly in the display
- ➔ Professionals can remotely monitor the softener from the ConnectMySoftener portal & Homeowners can get notification on the softener status and water & Salt usage on the ConnectMySoftener app


**TECHNICAL SPECIFICATIONS**

CHARACTERISTICS	Softena CS mini 10x18 14L	Softena CS midi 10x24 20L	Softena CS Maxi 10x35 30L
Resin volume (L)	<b>14 L</b>	<b>20 L</b>	<b>30 L</b>
Number of people	1-2	5-6	7-8
Nominal flow rate (m <sup>3</sup> /h) (residual hardness 0°f)	0,8 m <sup>3</sup> /h	1,2 m <sup>3</sup> /h	1,8 m <sup>3</sup> /h
Nominal flow rate (m <sup>3</sup> /h) (residual hardness 5-10°f)	1,0 m <sup>3</sup> /h	1,4 m <sup>3</sup> /h	2,2 m <sup>3</sup> /h
Peak flow rate (m <sup>3</sup> /h) (residual hardness 5-10°f)	1,4 m <sup>3</sup> /h	2,0 m <sup>3</sup> /h	3,0 m <sup>3</sup> /h
Salt dosage g/resin (standard settings)	80 g/l	80 g/l	80 g/l
Salt consumption per regeneration (kg)	1,1 Kg	1,6 Kg	2,4 Kg
Water consumption per regeneration (L)	60 L	86 L	117 L
Softener capacity °f x m <sup>3</sup>	67,8 °f • m <sup>3</sup>	96,8 °f • m <sup>3</sup>	145,2 °f • m <sup>3</sup>
Capacity in m <sup>3</sup> for 30°f inlet water hardness and 10°f residual hardness setting	4,2 m <sup>3</sup>	6,0 m <sup>3</sup>	9,0 m <sup>3</sup>
In / out connections	3/4" BSPT	3/4" BSPT	3/4" BSPT
Drain connection	1/2" hose	1/2" hose	1/2" hose
Tank size	10x18	10x24	10x35
Operating pressure min/max (bar/MPa)	1,4 / 8,3 - 0.14 / 0,83		
Operating temperature min/max(°C)	3 / 40		
Electrical connection (V/Hz)	230 VAC/12 VAC - 50/60 Hz		
Max power consumption (W)	6 W		
Accessories included	Plastic bypass - Voltage transformer 230-12V AC - 3/4 BSP male in/out connection kit - 3 mtr reinforced drain hose with 2 clamps - Air gap with double drain connection		
Regeneration type	High efficiency regeneration with smart reserve & Proportional brining		
System interface	Multilanguage RGB graphic display		
Salt compartment capacity in kg	50,0 kg	75,0 kg	125,0 kg
Product width	573 mm	573 mm	573 mm
Product height	667 mm	807 mm	1086 mm
Product depth	345 mm	345 mm	345 mm
Product depth with bypass assembled	418 mm	418 mm	418 mm
Product weight	18,5 kg	28,5 kg	41,0 kg
Packaging dimension (WxLxH) mm	360x600x610	360x600x770	360x600x1020
Quantity per pallet	12	12	6

**Note:** All calculations are based on a salt dosage setting standard of the PCB. The softener installation takes into account a pre-filter made of a 10" filter housing (Pentair ref. 150543) and a 10" 100micron Wound cartridge (Pentair ref. WWP100P10).

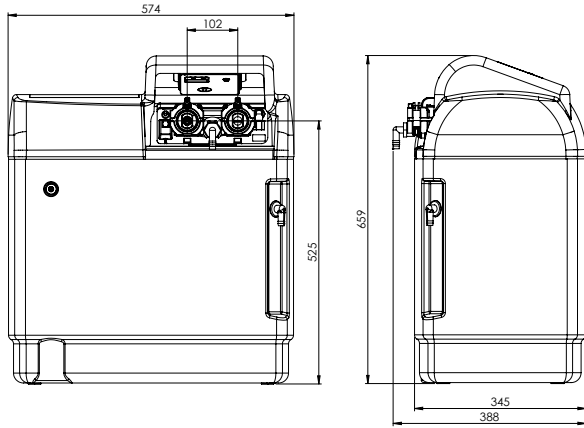
\* Indicatives data. Maximum flow rate to produce in order to respect the required service velocity for an optimal ion exchange upon resin manufacturers recommendation, regardless of the inlet pressure.

\*\* Values may vary upon local condition and programming. All consumptions are given for an inlet pressure of 3 bar.

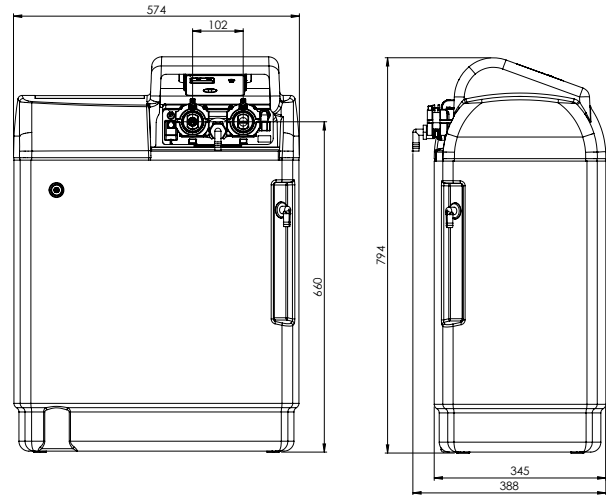


## OUTLINE DRAWINGS

Softena CS mini 14L



Softena CS midi 20L



Softena CS maxi 30L

