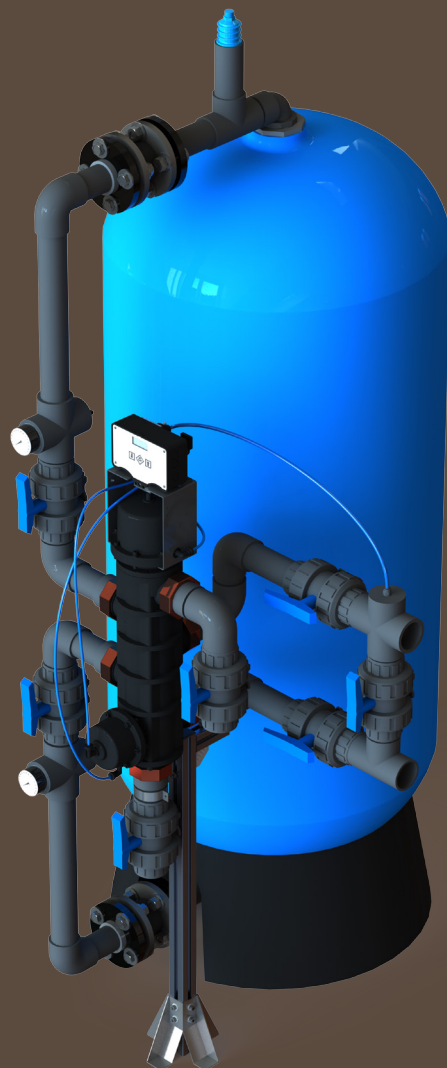




TECHNICAL GUIDE

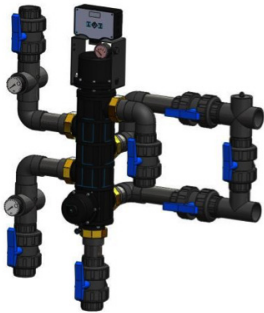
PACKAGED PRODUCTS - COMMERCIAL & INDUSTRIAL SYSTEM SOLUTIONS

V363 SFE FILTRATION KIT





V363 SFE FILTRATION KIT



KIT DESCRIPTION

- All components and accessories included to build various types of filtration systems
- Suitable for a wide range of filter applications and adaptable to various vessel sizes: from 21x60 up to 48x82 inches

PREMIUM KIT

TECHNICAL DATA

- Type of valve: SIATA V363
- Controller type: SIATA SFE
- Voltage: 230 V 50/60 Hz - transformer 12 VAC 50/60 Hz
- Electrical power: 4 VA
- IP protection: 30
- Operating pressure: 1,5 - 6 bar
- Regeneration start mode:
 - Timeclock
 - Pressure drop start
 - Volume regeneration possible (adding a water meter)

FEATURES

- Pre-assembled DN 50 piping
- 5 x DN 50 ball valves for bypass and valve maintenance
- 2 x DN 50 ball valves for backwash and fast rinse flow regulation
- Differential pressure switch with setting from 1 to 2 bar included
- Auxiliary microswitch

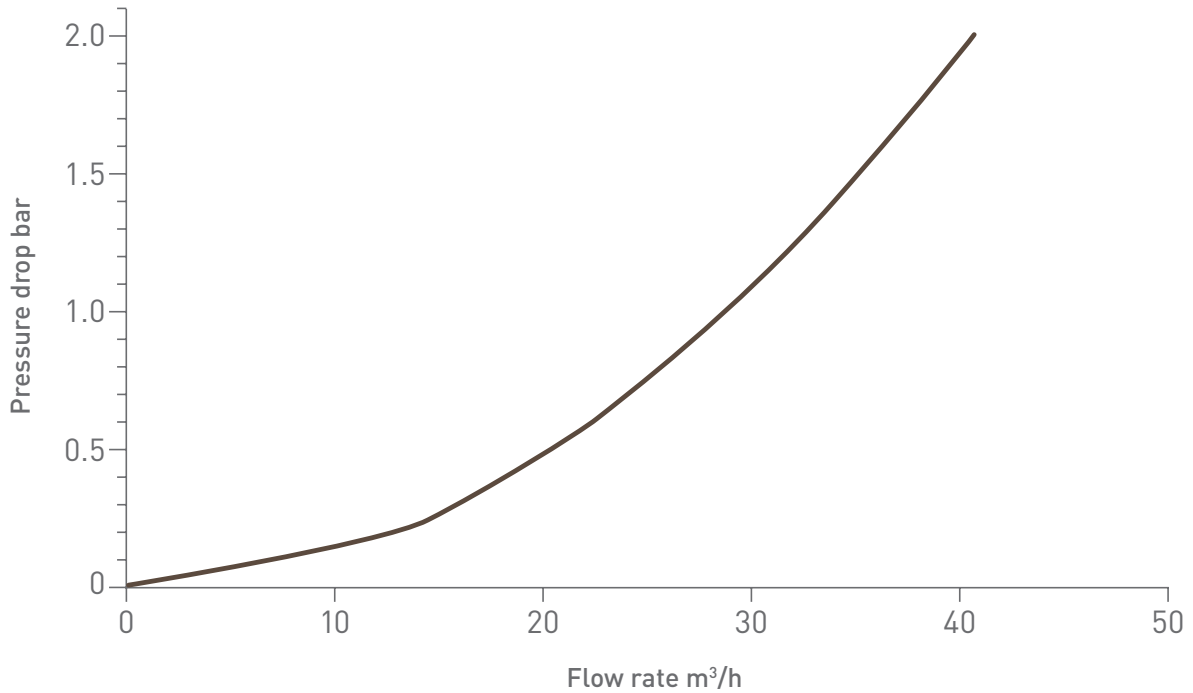
CONFIGURATION OPTIONS

- Complete piping to tank with flexible flanged connections
- Manual bypass
- Support frame in Aluminum available
- Timers SFE/SFE-EV Pro /AMC Viridion

Part number	Description
CI-F-363SFE-0011	C&I filtration kit Premium - SIATA V363 SFE, NBP during backwash, complete piping and frame differential and differential pressure switch
CI-F2160363SFE0011	C&I filtration kit Premium - SIATA V363 SFE with tank 21x60, complete with piping accessories and support frame. NBP during backwash and differential pressure switch
CI-F2469363SFE0011	C&I filtration kit Premium - SIATA V363 SFE with tank 24x69, complete with piping accessories and support frame. NBP during backwash and differential pressure switch
CI-F3072363SFE0011	C&I filtration kit Premium - SIATA V363 SFE with tank 30x72, complete with piping accessories and support frame. NBP during backwash and differential pressure switch
CI-F3672363SFE0011	C&I filtration kit Premium - SIATA V363 SFE with tank 36x72, complete with piping accessories and support frame. NBP during backwash and differential pressure switch
CI-F4278363SFE0011	C&I filtration kit Premium- SIATA V363 SFE with tank 42x78, complete with piping accessories and support frame. NBP during backwash and differential pressure switch
CI-F4882363SFE0011	C&I filtration kit Premium - SIATA V363 SFE with tank 48x82, complete with piping accessories and support frame. NBP during backwash and differential pressure switch

PERFORMANCE

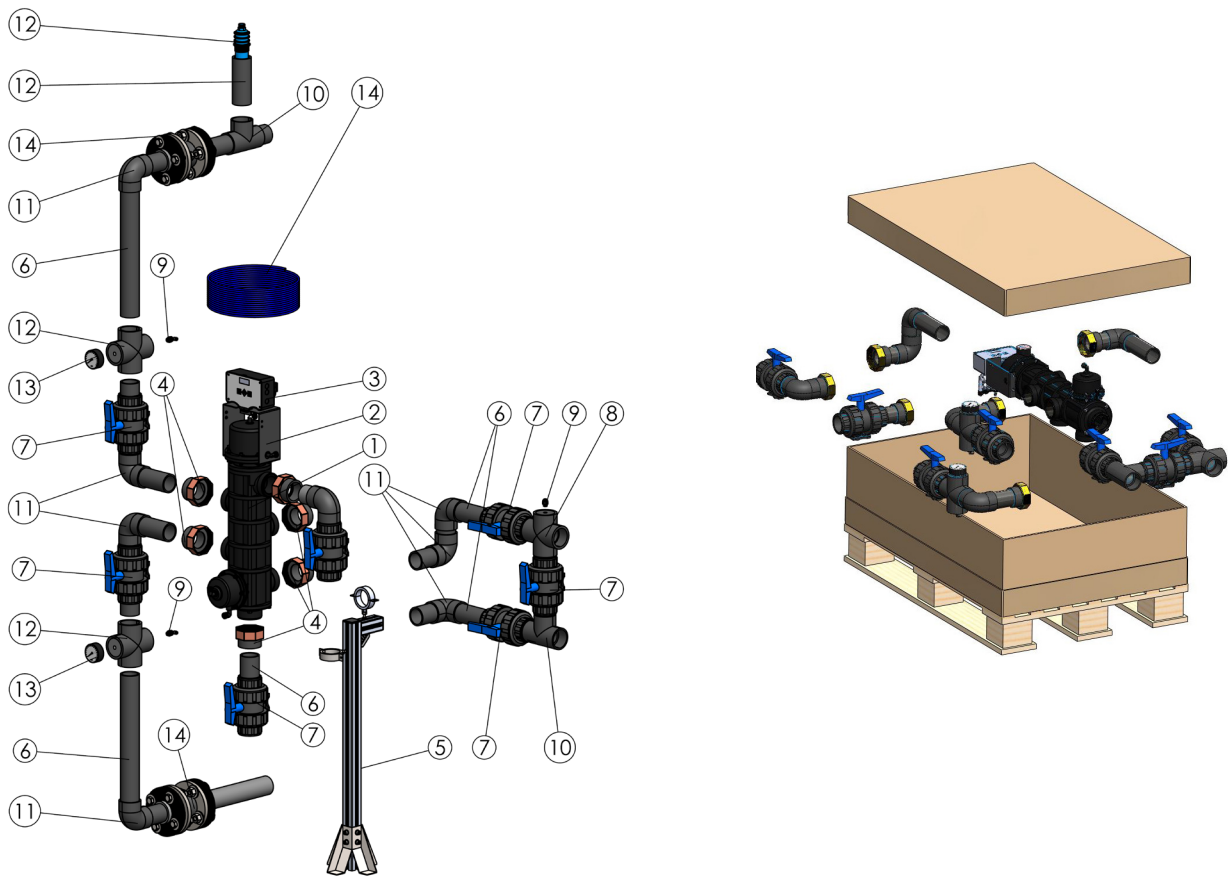
V363 SFE filtration kit performance



Suggested performances and backwash flow rate setting based on different vessel sizes

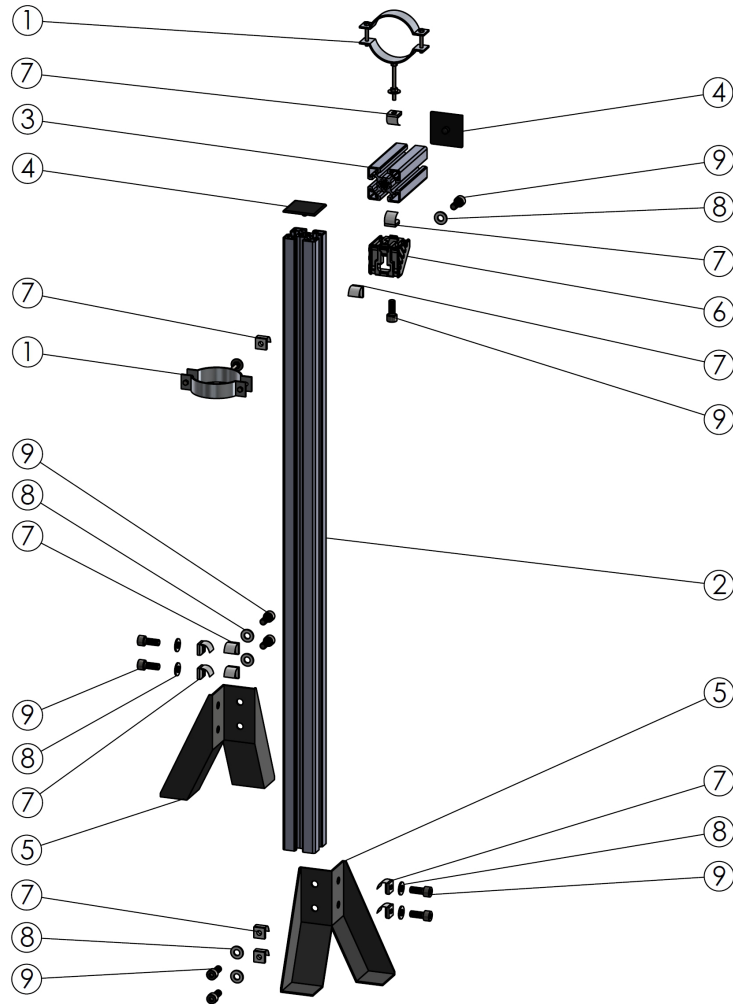
Vessel sizes in inches	21x60	24x69	30x72	36x72	42x78	48x82
Backwash sand in m³/h [C.at 40 m/h]	9,1	11,5	17,9	24,8	33,6	No
Backwash birm in m³/h [C.at 30 m/h]	6,8	8,6	13,5	18,6	25,2	36,1
Backwash multi media & anthracite in m³/h [C.at 35 m/h]	7,9	10,1	15,7	21,7	29,4	No
Backwash GAC Cl & organics in m³/h [C.at 20 m/h]	4,5	5,8	9,0	12,4	16,8	24,1
Service flow multimedia in m³/h [C.at 25 m/h]	5,7	7,2	11,2	15,5	21,0	No
Service flow anthracite in m³/h [C.at 15 m/h]	3,4	4,3	6,7	9,3	12,6	No
Service flow GAC Cl in m³/h [C.at 8 m/h]	1,8	2,3	3,6	5,0	6,7	9,6
Service flow GAC organics in m³/h [C.at 3 m/h]	0,7	0,9	1,3	1,9	2,5	3,6
Service flow birm in m³/h [C.at 10 m/h]	2,3	2,9	4,5	6,2	8,4	12,0
Service flow sand best filtration in m³/h [C.at 7 m/h]	1,6	2,0	3,1	4,3	5,9	No
Service sand good filtration in m³/h [C.at 10 m/h]	2,3	2,9	4,5	6,2	8,4	No
Service sand low filtration in m³/h [C.at 15 m/h]	3,4	4,3	6,7	9,3	12,6	No
Service sand rough filtration in m³/h [C.at 20 m/h]	4,5	5,8	9,0	12,4	16,8	No

BILL OF MATERIAL OF THE KIT



Item N°	Description	Qty
1	SIATA valve model Profilter-V363 see water	1
2	Standard SIATA controller or distributor bracket	1
3	SFE SIATA controller 2 pilots for Profilter series	1
4	Fitting Ø63mm for socket weld DN50 pipe	6
5	System frame assy	4
6	DN 50 pipe Ø 63 mm	6
7	Manual ball valve DN 50	7
8	Cross fitting for inlet with pressure point	1
9	JG fitting 1/4" threaded to Ø 6 mm tube	2
10	Tee fitting Ø 63 mm	1
11	Elbow fitting Ø 63 mm	1
12	Cross fitting with 2 x 1/4" threaded connections	2
13	Pressure gauge 1 – 6 bar front mount	2
14	Flexible flanged connectors	2
15	Vacuum breaker (only with tank kit)	1
16	Vacuum breaker tube	1
17	Flexible tube Ø 6 mm	16 m
Not showed	Differential pressure switch	1

BILL OF MATERIAL OF THE SUPPORT FRAME ASSY



Item N°	Description	Qty
1	DN 50 pipe collar kit	2
2	Vertical frame profile	1
3	Horizontal frame profile	1
4	Plug	2
5	Floor support	2
6	L-plate support	1
7	Spring nut	12
8	Washer	12
9	Screw	10

CONNECTION OF THE DIFFERENTIAL PRESSURE SWITCH

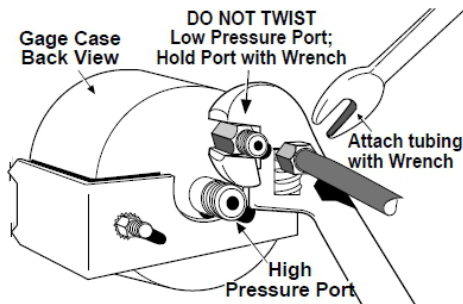
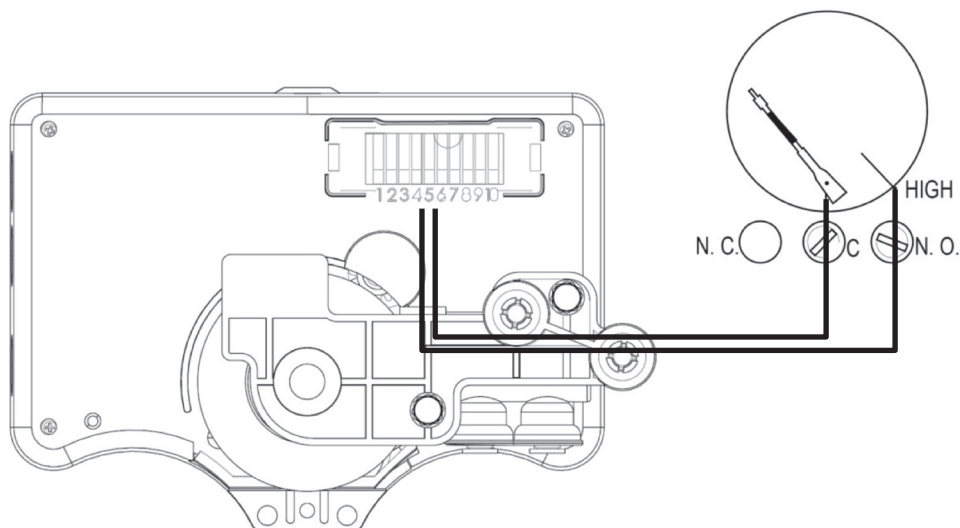
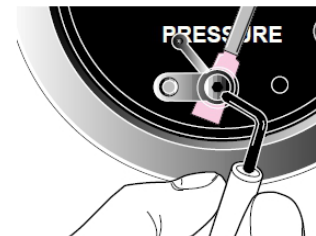


Fig.1

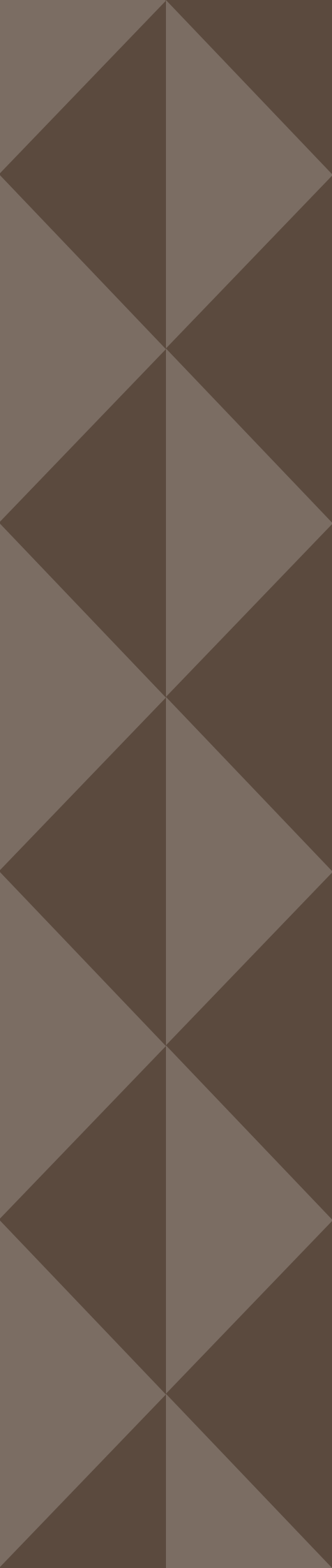
- The “High” pressure port (center mounted) is piped to the inlet side of the filter. The “Low” pressure port (top center mounted) is piped to the outlet side of the filter

- You MUST use a second wrench on the low pressure port when tightening tube fittings (see Fig. 1)
- Notice that a wrench is used for holding the low pressure port while a second wrench will tighten the pressure tubing/hose fitting onto the port
- All contacts are set using a 1/16 inch hex wrench. Rotate the contact until you reach the wanted setting. Set the contact slightly below the desired maximum differential pressure. Default setting is 2 bar.
- Connect the differential pressure switch contacts N.O. to the terminal strip 4-5 of the SFE as shown below



Note: Performance and flow settings advised by Pentair are calculated upon common media manufactures data sheets. We advise to always check with the filter media supplier the service and backwash velocities to use, and contact Pentair technical support whenever is needed to adapt the kit to different values from the ones specified in this document.

techsupport.CI@pentair.com



www.pentairaquaeurope.com